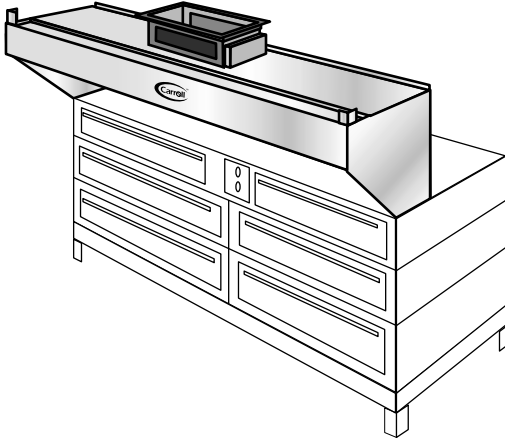




Carroll Manufacturing International
 25 Johnson Street, Thornhill, Ontario L3T 2N8
 Phone: 905-731-1050 · Fax: 905-731-8547

Website: www.carrollmi.com
 Email: info@carrollmi.com



PRODUCT SPECIFICATIONS

Furnish Carroll Ventilator Model W1-C-EM-RT-_____ (ventilator with fire damper) or NW1-C-EM-RT-_____ (ventilator without fire damper) as shown on plans, in the depth indicated, in the overall length of _____, and to meet the following specifications.

GENERAL DESCRIPTION: Ventilator is a high velocity, centrifugal grease extractor with an air inlet that is parallel to the top surface of cooking equipment being ventilated. Grease extraction efficiency shall be 95% when properly installed and operated per Carroll recommendations. Extracted grease to be accumulated out of the air exhaust stream on fixed-in-place, full-length, self-draining internal baffles; and removed periodically during the hot water/detergent cleaning cycle as controlled by the FWC Control Panel. Full length non-gasketed, quick-opening latch-type hinged inspection doors to be provided for inspection and servicing of extraction chamber and wash manifold.

Ventilator shall be operated at air quantities per project plans. Ventilator is designed for direct mounting to oven and shall be equipped with a special oven flue. Ducting for this connection shall be by others. Ventilator may be equipped with a spring-loaded fire damper located at the duct collar. The fire damper shall be 280°F fuse link or thermostatically activated, with damper closure set to occur at 280°F.

CONSTRUCTION MATERIALS: The ventilator shall be 18 gauge, type 304 all stainless steel construction. A number 4 finish shall be provided on all exposed surfaces.

APPROVALS: Ventilator shall be U.L. Listed, listed by NSF, and in accordance with all recommendations of NFPA 96. The ventilator must meet all applicable codes.

ITEM NO. _____

Elite Series Single Manifold Wash Ventilator

- Model W1-C-EM-RT
- Model NW1-C-EM-RT

APPLICATION

Equipment Mount / Eyebrow canopy style ventilator mounts directly to roast, bake and reel types of ovens.

DESCRIPTION

These Elite Series models are oven-mounted, hot water and detergent wash ventilators which are U.L. Listed under either the category "Exhaust Hood with Exhaust Damper," for the W1-C-EM-RT models or under the category "Exhaust Hood without Exhaust Damper," for the NW1-C-EM-RT models. Units are offered in a selection of depths. All models feature integral internal grease baffles arranged to provide very high extraction rates. The W1-C-EM-RT model features a spring loaded, fuse-link fire damper located at the duct collar. A thermostatically-activated damper is available as an option.

OPERATION

When properly operated and maintained, 95% grease extraction may be accomplished. As air is drawn around the internal stainless steel baffles, grease, dust and lint particles are thrown out of the airstream by centrifugal force and collected. Liquified grease drains off into the sloping gutter, and all inner surfaces are periodically washed. Any "W1" Series model can be totally integrated with Carroll W2 and DX Series Ventilators.

MAINTENANCE

At periodic intervals the full-length inspection doors should be opened for inspection of the interior components. Refer also to the Owner's Technical Manual for in-depth maintenance information.

AIR SUPPLY GUIDELINES

Appropriately conditioned supply air must be mechanically delivered to the space to replace exhausted air. Generally, 75% to 80% is so delivered, with the remaining 20% to 25% flowing naturally from adjoining areas.

EXHAUST/SUPPLY FAN UNITS

Exhaust fan(s) and supply fan(s) are to be furnished and installed by others to meet the Carroll Ventilator air volumes and static pressure drop for the entire system and must be in compliance with local codes.

- Exhaust fan(s) should be properly sized and include induced draft, squirrel cage design, with backward inclined or air-foil type blades.
- Discharge ducts should be vertical and located away from air intakes.
- Supply fan(s) should be equipped with throwaway or cleanable type filters.
- Exhaust and supply fans require a magnetic starter switch with a 120 volt holding coil and should be electrically interlocked for simultaneous operation.

FIRE PROTECTION

NFPA 96 and most other codes require a fire extinguishing system for protection of both the duct collar and plenum areas of ventilators and for the protection of cooking equipment (such as fat fryers, griddles, ranges and broilers) which may be a source of ignition of grease. Check with local fire authorities for exact requirements.

OPTIONAL EQUIPMENT

Consult Carroll regarding custom services addressing:

- Exhaust Fans, Supply Fans & Roof Top Units
- Fire Protection Systems
- Heat Recovery Units
- Utility Distribution Systems
- Air Purification Units

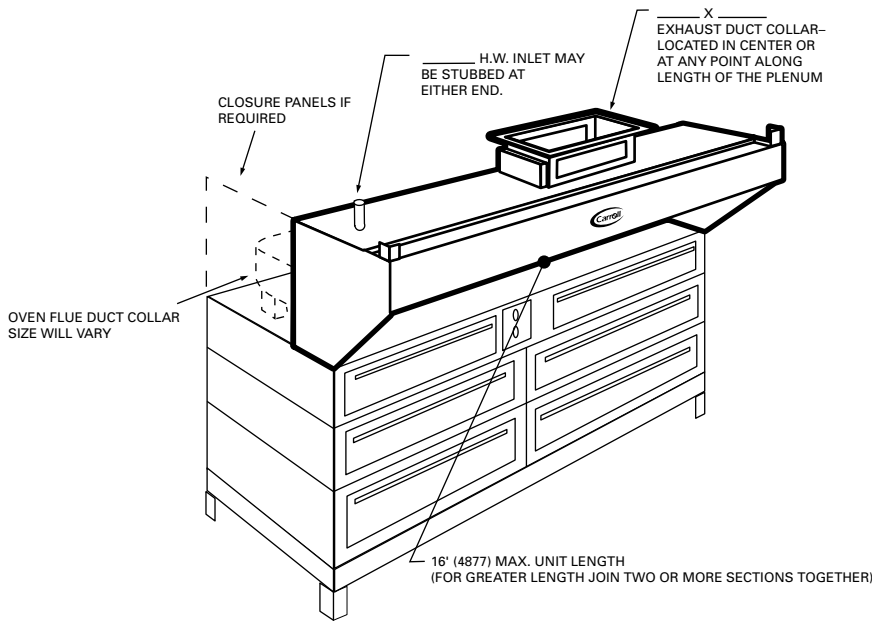


Model W1-C-EM-RT-_____ (With Fire Damper)

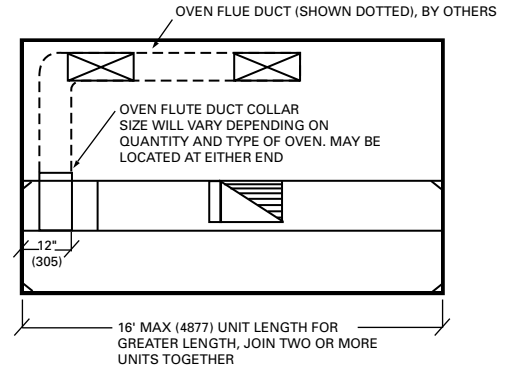
Model NW1-C-EM-RT-_____ (Without Fire Damper)



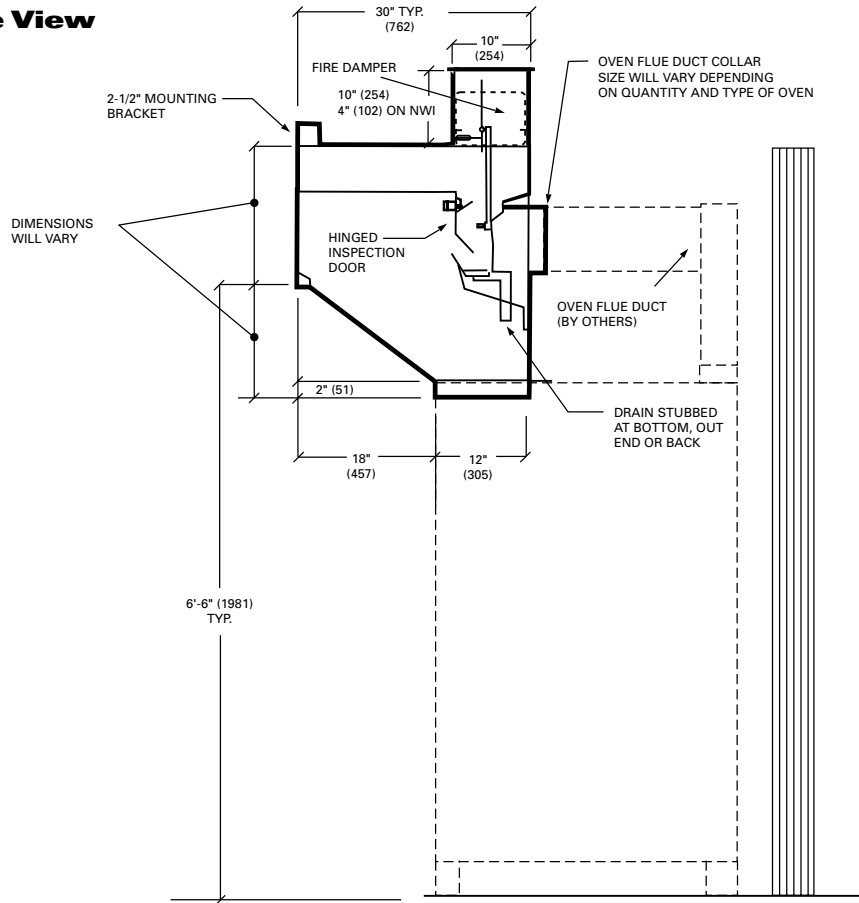
To complete the model number, insert the desired depth of the unit in inches.
Example: "W1-C-EM-RT-30" (See typical "Section View" below.)



Perspective View
N.T.S.



Plan View
N.T.S.



Section View
N.T.S.

NOTE: Dimensions in parenthesis () are millimeters.

Engineering Data

MECHANICAL REQUIREMENTS

Model W1-C-EM-RT minimum exhaust volume is 150 CFM per lineal foot (232 Ltrs/sec/lin. m). The overall ventilator length determines total exhaust volume. Refer to the Carroll Master Engineering Table to determine duct sizes and static pressure.

ELECTRICAL

Provide 120 volt, 20 amp, 24-hour service to Carroll FWC Fan/Wash Control Panel. (See FWC Fan/Wash Control Panel specification sheet for details.) To be fused separately. Lights to be on a separate circuit, 120 volt.

VENTILATOR LENGTHS

Maximum unit length is 16'-0" (4877 mm). For greater lengths, two or more sections must be joined. Check to ensure that there is adequate access into building and kitchen area.

HANGING WEIGHT

55 lbs. per linear foot of ventilator.
82 kg. per linear meter of ventilator.

Item No: _____ Height: _____

Est. Wt.: _____ Exhaust - CFM: _____

Length: _____ Duct Size: _____

Width: _____ S. P.: _____

____ GPM @ 40 PSI Water Temp. 140° - 180°F