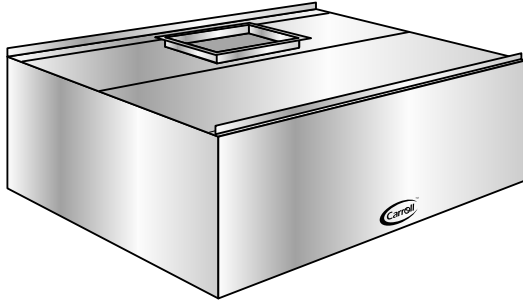




Carroll Manufacturing International

25 Johnson Street, Thornhill, Ontario L3T 2N8
Phone: 905-731-1050, Fax: 905-731-8547

Website: www.carrollmi.com
Email: info@carrollmi.com



ITEM NO. _____

Condenser Series Dry Condensate Ventilator
Model DC

PRODUCT SPECIFICATIONS

Furnish Carroll Model DC Wall Mounted, Island Style, Vapor Hood of size, shape and quantities as shown on the plan. Hood shall operate at the air quantities shown.

GENERAL DESCRIPTION: Hood shall be provided with full length air condensing and extraction baffles with dual inlets parallel to the equipment below, the lower baffle shall be removable. The perimeter of the hood shall incorporate an integral gutter with a 1" drain.

Hood shall be provided with a 2" high duct collar.

CONSTRUCTION MATERIALS: Hood shall be 18 gauge, type 304, all stainless steel construction. A number 4 finish shall be provided on all exposed surfaces.

OPTIONAL EQUIPMENT: Adjustable balancing damper located at the duct collar to regulate the exhaust.

LIGHT FIXTURES: Ventilator shall be equipped with 100 Watt Dome Incandescent or Recessed 150 Watt Incandescent or Recessed Fluorescent Fixtures. Light fixtures shall be prewired to a single point of connection at the factory.

APPROVALS: Hood shall be constructed in accordance with the National Sanitation Foundation Standard Number 2.

APPLICATION

Wall or island mounted Type II canopy style ventilator for collecting and removing steam, non-grease laden vapors, heat, and odors.

DESCRIPTION

The Carroll DC Series Vapor Hoods are designed to condense and remove the vapor produced by dishwashers, steam tables, kettles, coffee urns, bain maries, and the like. These hoods are available in wall mounted and island styles and are available up to 16'-0" long in a single section. For longer applications multiple sections of hoods are required.

The DC Series Hoods are standardly designed for three (3) exhaust rates to fit various applications:

- Light Service** 150 CFM per lineal foot
- Medium Service** 250 CFM per lineal foot
- Heavy Service** 300 CFM per lineal foot and over

The DC Series Hoods are provided with the lower air condensing baffle removable to facilitate cleaning. The full length design of the upper and lower baffles provide maximum extraction and vapor condensing.

OPERATION

When properly operated and maintained, effective steam, heat, vapor, and odor removal will be obtained. The condensed vapors are drained off into the perimeter gutter.

MAINTENANCE

At periodic intervals, the baffles are to be removed and cleaned. They can be either washed in a dishwasher, hand washed, or soaked and rinsed. At periodic intervals, all interior and exterior surfaces should be cleaned.

AIR SUPPLY GUIDELINES

Appropriately conditioned supply air must be mechanically delivered to the space to replace exhausted air. Generally, 75% to 80% is so delivered, with the remaining 20% to 25% flowing naturally from adjoining areas.

EXHAUST/SUPPLY FAN UNITS

Exhaust fan(s) and supply fan(s) are to be furnished and installed by others to meet the Carroll Ventilator air volumes and static pressure drop for the entire system, and must be in compliance with local codes.

- Exhaust fan(s) should be properly sized and include induced draft, squirrel cage design, with backward inclined or air-foil type blades.
- Discharge ducts should be vertical and located away from air intakes.
- Supply fan(s) should be equipped with throwaway or cleanable type filters.
- Exhaust and supply fans require a magnetic starter switch with a 120 volt holding coil and should be electrically interlocked for simultaneous operation.

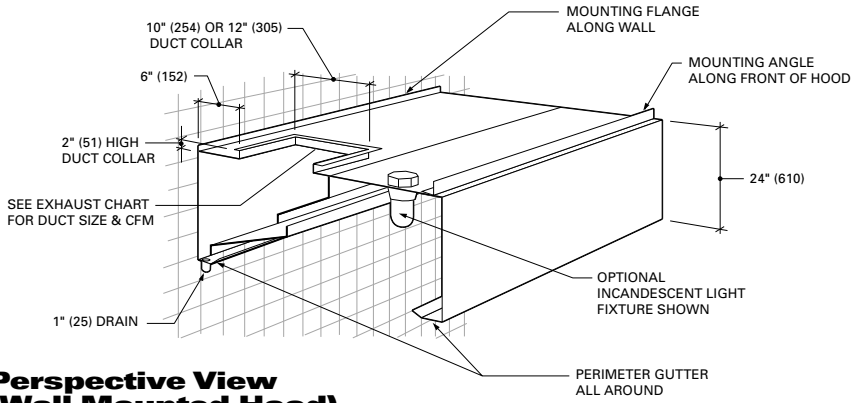
OPTIONAL EQUIPMENT

Consult Carroll regarding custom services addressing:

- Exhaust Fans, Supply Fans & Roof Top Units
- Fire Protection Systems
- Heat Recovery Units
- Utility Distribution Systems
- Air Purification Units

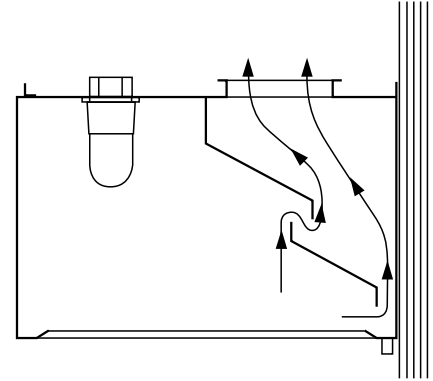
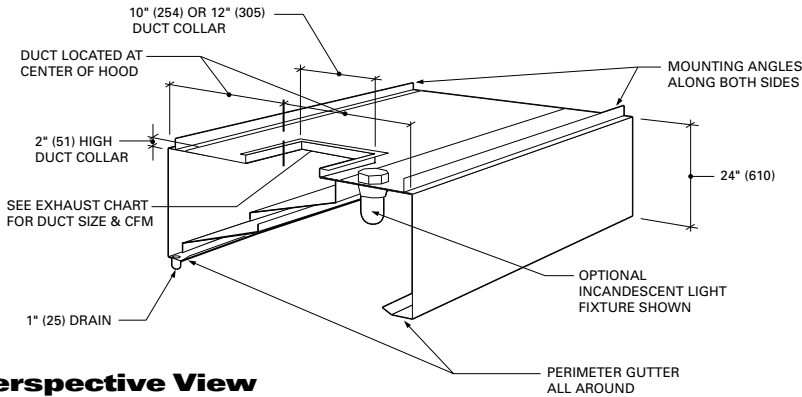


Model DC



Perspective View (Wall Mounted Hood)

N.T.S.



Section View (Wall Mounted Hood)

N.T.S.

Perspective View (Island Style Hood)

N.T.S.

NOTE: Dimensions in parenthesis () are millimeters.

Engineering Data

EQUIPMENT TYPE

LIGHT LOADSteamers, ovens, kettles (under 20 gallons), dishwashers, steamtables, coffee urns.

MEDIUM LOAD.....Conveyor ovens, 20-40 gallon kettles.

HEAVY LOAD40-60 gallon kettles.

EXTRA HEAVY LOADKettles over 60 gallons. Consult factory for exhausting requirements.

VENTILATOR HANGING WEIGHTS

Ventilator Depth	42" (1067)	48" (1219)	54" (1372)	60" (1524)
Wt./linear ft. lbs.	35	37	40	42
Wt./linear m. kg.	16	17	18	19

ELECTRICAL

An optional Carroll stop/start switch, Model CS200, is provided for each exhaust fan. Refer to Model CS200 spec. sheet for specifications and electrical details. If specified, lights shall be on a separate circuit, 120 Volt.

Item No: _____ Height: _____

Est. Wt.: _____ Exhaust - CFM: _____

Length: _____ Duct Size: _____

Width: _____ S. P.: _____

AIR-SIDE TECHNICAL DATA

LENGTH	LIGHT LOAD 150 CFM/LIN. FT. SP=0.25"		MEDIUM LOAD 250 CFM/LIN. FT. SP=0.35"		HEAVY LOAD 300 CFM/LIN. FT. SP=0.45"	
	CFM	DUCT COLLAR 10" X	CFM	DUCT COLLAR 10" X	CFM	DUCT COLLAR 12" X
3'-0"	450	4"	750	6"	900	6"
3'-6"	525	4"	875	7"	1050	7"
4'-0"	600	5"	1000	8"	1200	8"
4'-6"	675	5"	1125	9"	1350	9"
5'-0"	750	6"	1250	10"	1500	10"
5'-6"	825	7"	1375	11"	1650	11"
6'-0"	900	7"	1500	12"	1800	12"
6'-6"	975	8"	1625	13"	1950	13"
7'-0"	1050	8"	1750	14"	2100	14"
7'-6"	1125	9"	1875	15"	2250	15"
8'-0"	1200	10"	2000	16"	2400	16"
8'-6"	1275	10"	2125	17"	2550	17"
9'-0"	1350	11"	2250	18"	2700	18"
9'-6"	1425	11"	2375	19"	2850	19"
10'-0"	1500	12"	2500	20"	3000	20"
10'-6"	1575	13"	2625	21"	3150	21"
11'-0"	1650	13"	2750	22"	3300	22"
11'-6"	1725	14"	2875	23"	3450	23"
12'-0"	1800	14"	3000	24"	3600	24"
12'-6"	1875	15"	3125	25"	3750	25"
13'-0"	1950	16"	3250	26"	3900	26"
13'-6"	2025	16"	3375	27"	4050	27"
14'-0"	2100	17"	3500	28"	4200	28"
14'-6"	2175	17"	3525	29"	4350	29"
15'-0"	2250	18"	3750	30"	4500	30"
16'-0"	2325	19"	3800	31"	4650	31"