



**Carroll Manufacturing International**  
 25 Johnson Street, Thornhill, Ontario L3T 2N8  
 Phone: 905-731-1050 · Fax: 905-731-8547

Website: www.carrollmi.com  
 Email: info@carrollmi.com

# Canopy Lighting Fixtures

Surface Mount Canopy Lighting Fixtures for Commercial Cooking Hoods

## SPECIFICATIONS

- FIXTURE BODY: Die cast aluminum with brushed finish.
- SOCKET: Porcelain body with copper shell.
- WIRE LEADS: 14 AWG, 6" (150mm) long.
- GROUND LEAD: 6" (150mm) long green colored 18 AWG wire.
- WATTAGE: Accepts standard 100 watt A19 bulb (not furnished).
- VOLTAGE: Rated up to 120 volts.
- GASKETS: Silicone.
- GLOBE: Plastic coated\*, clear, thermal and shock resistant tempered glass.
- WIRE GUARD: Plated steel.
- OVERALL SIZE: 5-1/2" (140mm) diameter  
 8-3/4" (220mm) long with wire guard.
- JUNCTION BOX: Not furnished. Fixture is designed to accept any standard 3-1/2" (90mm) or 4" (100mm) junction box.



**U.L. LISTED AND C.S.A. CERTIFIED FOR USE  
 IN COMMERCIAL COOKING HOODS**

**MEETS ALL REQUIREMENTS FOR N.F.P.A. AND N.E.C. 410**

**DESIGNED FOR CONVENIENT INSTALLATION TO PREWIRED HOODS**

**GREASEPROOF, WATERPROOF AND HEATPROOF CONSTRUCTION**

**ALUMINUM FIXTURES ARE FURNISHED WITH A BRUSHED FINISH TO  
 MATCH STAINLESS STEEL HOOD INTERIORS**



SURFACE MOUNT CANOPY LIGHTING FIXTURES	
CARROLL MODEL NO.	DESCRIPTION
EL22300**	FURNISHED WITH PLASTIC COATED*, THERMAL AND SHOCK RESISTANT TEMPERED GLASS GLOBE

NOTE: \*\*INDICATES N.S.F. LISTED MODEL

**NOTE: \*PLASTIC COATED GLOBES**  
 PROVIDED WITH "TUFF-SKIN" COATING WHICH ELIMINATES HOT SPOT BROWNING / DISCOLORATION OF GLOBE...  
 PREVENTS GLASS SHATTER FROM IMPACT, DROPPING, UNUSUAL STRESSES AND THERMAL SHOCK.  
 SCRATCH RESISTANT... USDA APPROVED... IMPROVES LIGHT SOURCE BY PROVIDING BETTER DIFFUSION.



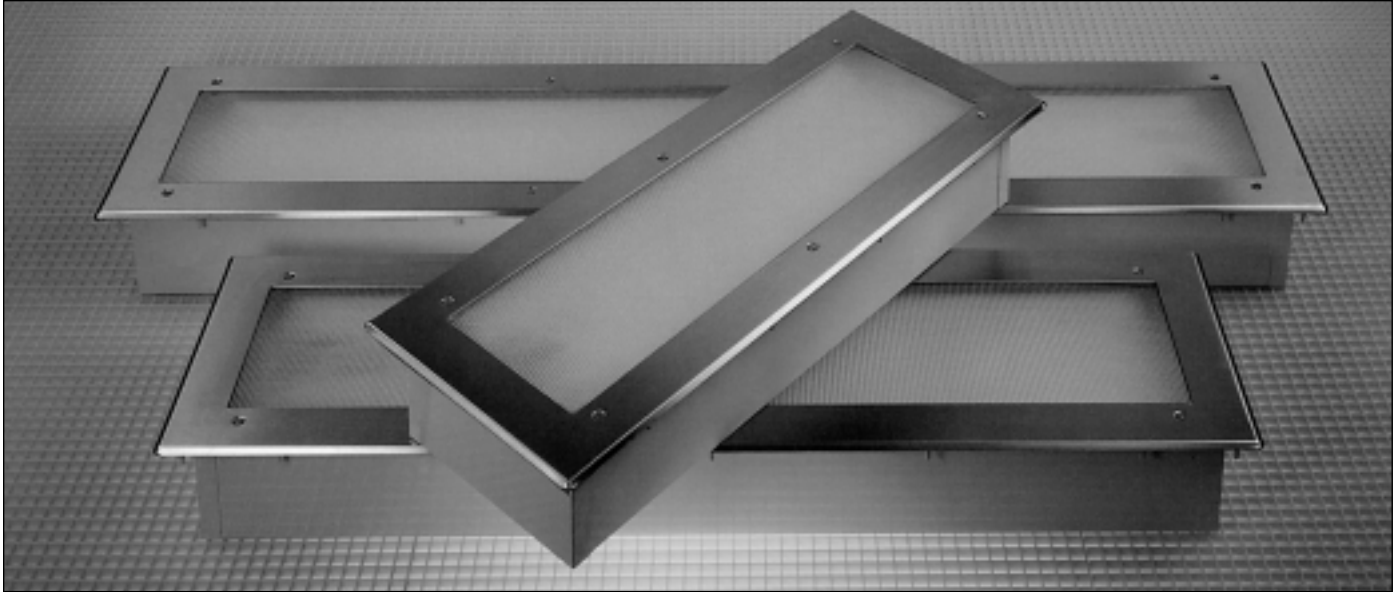
**Carroll Manufacturing International**

25 Johnson Street, Thornhill, Ontario L3T 2N8  
 Phone: 905-731-1050 · Fax: 905-731-8547

Website: www.carrollmi.com  
 Email: info@carrollmi.com

# Canopy Lighting Fixtures

Recessed Fluorescent... Low Profile Canopy Hood Light Fixtures



LISTED  
 FILE #E79253(N)



CERTIFIED  
 FILE #LL36779

**ONLY 4-1/2" (115mm) HIGH...  
 FOR LIMITED OVERHEAD CLEARANCE APPLICATIONS**

**U.L. LISTED AND C.S.A. CERTIFIED FOR USE IN COMMERCIAL COOKING HOODS**

**MEETS ALL REQUIREMENTS FOR N.F.P.A. AND N.E.C. 410**

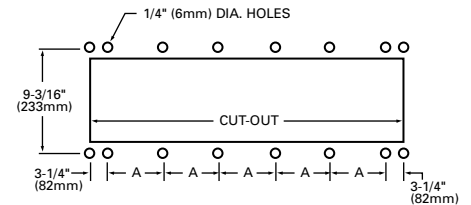
**TEMPERED, PRISMATIC GLASS DIFFUSER WITH ONE PIECE SATIN FINISHED  
 STAINLESS STEEL FACE FRAME TO MATCH HOOD INTERIOR**



COMPONENT

### SPECIFICATIONS

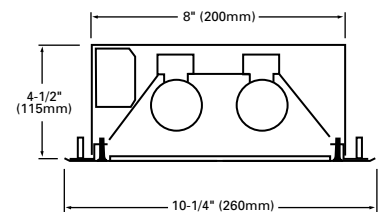
- BALLAST:** Standard 120 volts, 60 cycle, high power factor, Class P, U.L. Listed.
- LAMPS:** T80 Fluorescent lamps (not furnished).
- DIFFUSER:** Crystal 73 tempered prismatic glass with prisms on inside of fixture, mounted into a stainless steel face frame with special sealing gasketing. Secured to fixture body with stainless steel screws for easy servicing.
- REFLECTOR:** Baked white enamel finish...providing a minimum of 87% diffused reflection.
- BODY:** Steel with a baked white enamel finish.
- MOUNTING:** #10-24 x 3/4" (20mm) long threaded studs.



**MOUNTING CUT-OUT DIAGRAM**

### RECESSED FLUORESCENT CANOPY HOOD LIGHT FIXTURES

CARROLL MODEL NO.	LAMPS REQUIRED	OVERALL TRIM SIZE	CUT-OUT SIZE	HOLES REQ'D	"A" DIM.
EL22520	(2) F17-T80	10-1/4" x 26-1/4" (260mm x 660mm)	8-1/2" x 24-1/2" (215mm x 620mm)	12	6" (150mm)
EL22540	(2) F25-T80	10-1/4" x 38-1/4" (260mm x 970mm)	8-1/2" x 36-1/2" (215mm x 930mm)	14	7-1/2" (190mm)
EL22560	(2) F32-T80	10-1/4" x 50-1/4" (260mm x 1270mm)	8-1/2" x 48-1/2" (215mm x 1230mm)	14	10-1/2" (265mm)



**SECTION**

NOTE: T8 ELECTRONIC OCTRON BALLAST AVAILABLE UPON REQUEST



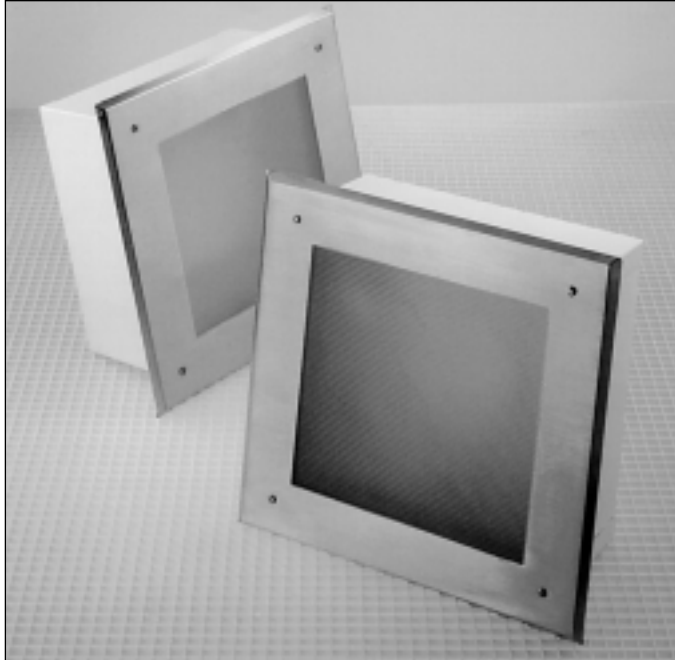
**Carroll Manufacturing International**

25 Johnson Street, Thornhill, Ontario L3T 2N8  
Phone: 905-731-1050 • Fax: 905-731-8547

Website: www.carrollmi.com  
Email: info@carrollmi.com

# Canopy Lighting Fixtures

## Recessed Incandescent Canopy Hood Light Fixture



### SPECIFICATIONS

- SOCKET:** Side mounted porcelain medium base.
- WATTAGE:** Accepts standard 150 watt A23 bulb (not furnished).
- VOLTAGE:** Rated up to 120 volts.
- DIFFUSER:** Crystal 73 tempered prismatic glass with prisms on inside of fixture.
- FACEPLATE:** One piece, stainless steel with smooth satin finish.
- LOCKUP:** (4) captive stainless steel screws.
- RETAINER:** Twin spring and cable for faceplate and frame.
- REFLECTOR:** Die formed aluminum with satin finish.
- WIRING:** Connections to socket are made in the interior removable thermal insulated wiring chamber.
- BODY:** Steel recessed housing with baked white enamel finish.
- MOUNTING:** (4) #10-24 x 3/4" (20mm) long threaded studs.



**U.L. LISTED AND C.S.A. CERTIFIED FOR USE IN COMMERCIAL COOKING HOODS**

**MEETS ALL REQUIREMENTS FOR N.F.P.A. AND N.E.C. 410**

**N.S.F. COMPONENT LISTING**



**SATIN FINISHED STAINLESS STEEL FACEPLATE TO MATCH HOOD INTERIORS**

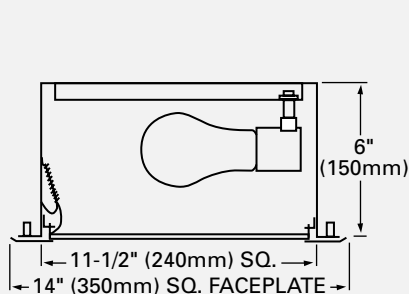
**TEMPERED, PRISMATIC GLASS DIFFUSER**



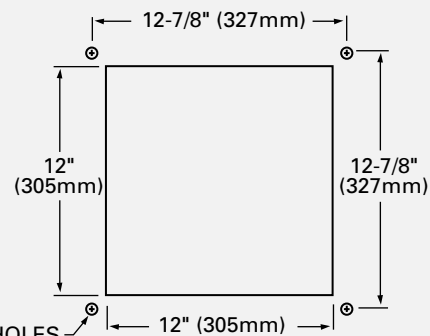
C.S.A.  
FILE #LL36779

### RECESSED INCANDESCENT CANOPY HOOD LIGHT FIXTURE

### CARROLL MODEL NO. EL22640



**SECTION**



**CUT-OUT MOUNTING DIAGRAM**