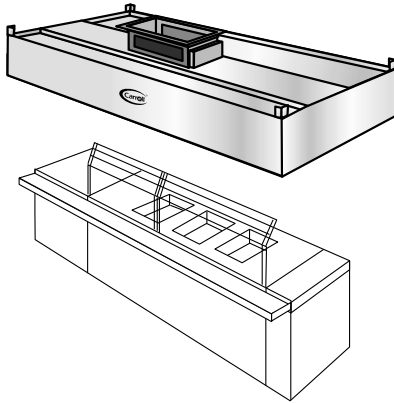




Carroll Manufacturing International

25 Johnson Street, Thornhill, Ontario L3T 2N8
Phone: 905-731-1050 · Fax: 905-731-8547

Website: www.carrollmi.com
Email: info@carrollmi.com



PRODUCT SPECIFICATIONS

Furnish Carroll Ventilator Model W1-C-MS-CL-S _____ (ventilator with fire damper) or NW1-C-MS-CL-S _____ (ventilator without fire damper) as shown on plans, in the depth indicated, in the overall length of _____, and to meet the following specifications.

GENERAL DESCRIPTION: Ventilator is a high velocity, centrifugal grease extractor with two air inlet slots, one on each side of a single extractor. One slot shall have an adjustable baffle for regulation of the ratio of exhaust volume between the slots. Grease extraction efficiency shall be 95% when properly installed and operated per Carroll recommendations. Extracted grease to be accumulated out of the exhaust air stream on fixed-in-place, full-length, self-draining internal baffles; and removed periodically during the hot water/detergent cleaning cycle as controlled by the FWC Control Panel. Full length non-gasketed, quick-opening latch-type hinged inspection doors to be provided for inspection and servicing of extraction chamber and wash manifold.

Ventilator shall include means for hanging or otherwise supporting. The fire damper shall be fuse link or thermostatically activated, with damper closure set to occur at 280°F. To reduce exhaust volume over specific cooking equipment, you must request Reduced Throat air baffles by adding the suffix "RT" to the model number.

MAKE-UP AIR OPTIONS: Ventilator shall include an air supply plenum with duct collar(s) and incorporate one of the following designs:

- Registers along the front panel for face discharge (Add suffix "SR" to the model number.)
- Perforated stainless steel front panels for face discharge (Add suffix "SP" to the model number.)
- Vertical full-length adjustable registers for perimeter downward discharge (Add suffix "SV" to the model number.)
- Adjustable registers for discharging directly into cavity of the ventilator (Add suffix "SI" to the model number.)

CONSTRUCTION MATERIALS: The ventilator shall be 18 gauge, type 304 all stainless steel construction. A number 4 finish shall be provided on all exposed surfaces.

LIGHT FIXTURES: Ventilator shall be equipped with 100 Watt Dome Incandescent or Recessed 150 Watt Incandescent or Recessed Fluorescent Fixtures. Light fixtures shall be prewired to a single connection point at the factory. Ventilators built in multiple sections shall be furnished with junction boxes for field connections by electrical contractor.

APPROVALS: Ventilator shall be U.L. Listed, listed by NSF, and in accordance with all recommendations of NFPA 96. The ventilator must meet all applicable codes.

ITEM NO. _____

Elite Series

Single Manifold Wash Ventilator

- Model W1-C-MS-CL-S
- Model NW1-C-MS-CL-S

APPLICATION

Ceiling mounted canopy style ventilator for cafeteria and other single line arrangements.

DESCRIPTION

These Elite Series models are island-canopy, hot water and detergent wash ventilators which are U.L. Listed under either the category "Exhaust Hood with Exhaust Damper," for the W1-C-MS-CL-S models or under "Exhaust Hood without Exhaust Damper," for the NW1-C-MS-CL-S models. Units are offered in a selection of depths. All models feature integral internal grease extracting baffles arranged to provide very high extraction rates. The W1-C-MS-CL-S model features a spring loaded, fuse-link fire damper located at the duct collar. A thermostatically-activated damper is available as an option.

OPERATION

When properly operated and maintained, 95% grease extraction may be accomplished. As air is drawn around the internal stainless steel baffles, grease, dust and lint particles are thrown out of the airstream by centrifugal force and collected. Liquified grease drains off into the sloping gutter, and all inner surfaces are periodically washed. Any "W1" Series model can be totally integrated with Carroll W2 and DX Series Ventilators.

MAINTENANCE

At periodic intervals the full-length inspection doors should be opened for inspection of the internal components. Refer also to the Owner's Technical Manual for in-depth maintenance information.

AIR SUPPLY OPTIONS

"SR" & "SP" Style - Register or Perforated Front Panel Discharge

Facing panel openings can typically supply 80% or more of exhaust air volume. Recommended supply air temperature range is 60° to 65°F, but, dependent upon volume, distribution and internal heat load, may be as low as 50°F.

"SV" Style - Vertical Perimeter Discharge

Up to 80% of the exhaust air volume may be supplied through this system. To avoid discomfort to personnel, air must be tempered to 65°F or higher.

"SI" Style - Internal Discharge

Volume of make-up air supplied through this design varies with the type of cooking equipment used. Air may be untempered in most areas, dependent upon climate and cooking equipment. Consult factory for specific air supply volumes and where winter temperatures drop below 10°F.

COMBINATION SUPPLY AIR

More than one supply air option may be specified on a Carroll ventilator, the following are the possible combinations of supply air: SP/SI, SV/SI, SR/SI, SP/SV, SR/SV and SR/SP.

EXHAUST/SUPPLY FAN UNITS

Exhaust fan(s) and supply fan(s) are to be furnished and installed by others to meet the Carroll Ventilator air volumes and static pressure drop for the entire system and must be in compliance with local codes.

- Exhaust fan(s) should be properly sized and include induced draft, squirrel cage design, with backward inclined or air-foil type blades.
- Discharge ducts should be vertical and located away from air intakes.
- Supply fan(s) should be equipped with throwaway or cleanable type filters.
- Exhaust and supply fans require a magnetic starter switch with a 120 volt holding coil and should be electrically interlocked for simultaneous operation.

FIRE PROTECTION

NFPA 96 and most other codes require a fire extinguishing system for protection of both the duct collar and plenum areas of non water-wash ventilators and for the protection of cooking equipment (such as fat fryers, griddles, ranges and broilers) which may be a source of ignition of grease. Check with local fire authorities for exact requirements.

OPTIONAL EQUIPMENT

Consult Carroll regarding custom services addressing:

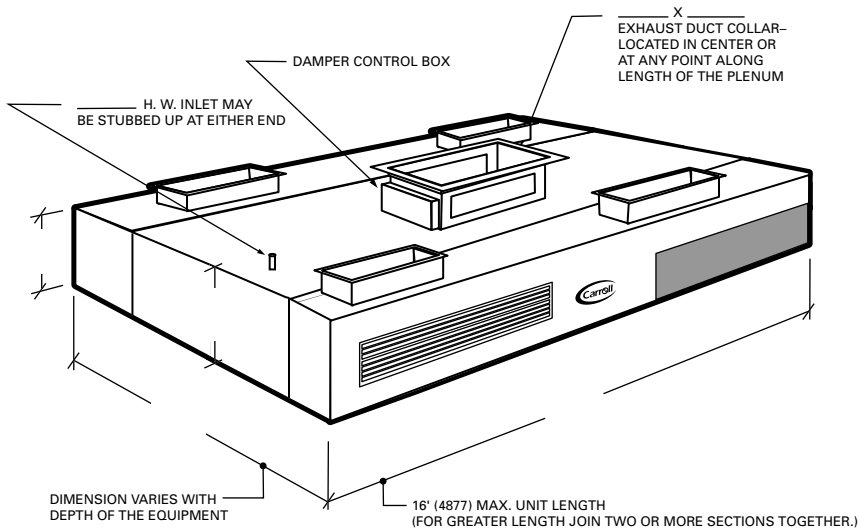
- Exhaust Fans, Supply Fans & Roof Top Units
- Fire Protection Systems
- Heat Recovery Units
- Reduced Throat (low air volume ventilators)
- Utility Distribution Systems
- Air Purification Units



Model W1-C-MS-CL-S- (With Fire Damper)
Model NW1-C-MS-CL-S- (Without Fire Damper)



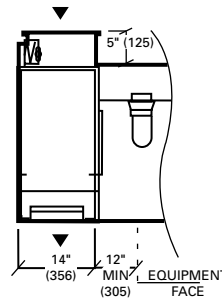
To complete the model number, insert the desired depth of the unit in inches.
 Example: "W1-C-MS-CL-S-60" (See typical "Section View" below.)



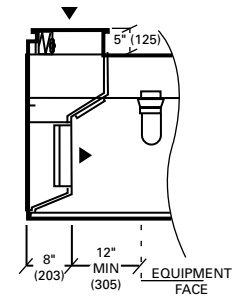
Perspective View
 N.T.S. (FULL BOX-SHAPE SHOWN)

Supply Air Options

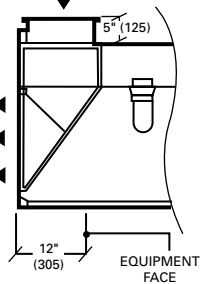
SV
 Supply air vertical



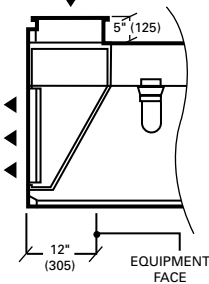
SI
 Supply air internal



SP
 Supply air perforated



SR
 Supply air registers



Engineering Data

SUPPLY AIR OPTIONS

For supply air option add one of the following suffixes to the model number:

- SP SR SV SI

MECHANICAL REQUIREMENTS

The type of cooking equipment and the type and volume of cooking determines the total exhaust volume. Refer to the Carroll Manufacturing Engineering Table to determine exhaust volume, duct sizes and static pressure. The "W1-C-MS-CL-S" ventilator operates at a total of 400 CFM/Lin. ft. (619 L/s/Lin. m.), 250 CFM/Lin. ft. (387L/s/Lin. m.) on the heavy side and 150 CFM/Lin. ft. (233 L/s/Lin. m.) on the light side. Note: If the ventilator is to operate at a total of 300CFM/Lin.ft. (466 L/s/Lin.m.), 150 CFM/Lin.ft. (233 L/s/Lin.m.) on each side, a 400 MS ventilator with "RT" restricted throat must be used. If installation requires more exhaust, as determined per the Master Engineering Table, select back-to-back ventilators, Model "W1-C-DE" series (consult Carroll for details).

ELECTRICAL

Provide 120 volt, 20 amp, 24-hour service to Carroll FWC Fan/Wash Control Panel. (See FWC Fan/Wash Control Panel specification sheet for details.) To be fused separately. Lights to be on a separate circuit, 120 volt.

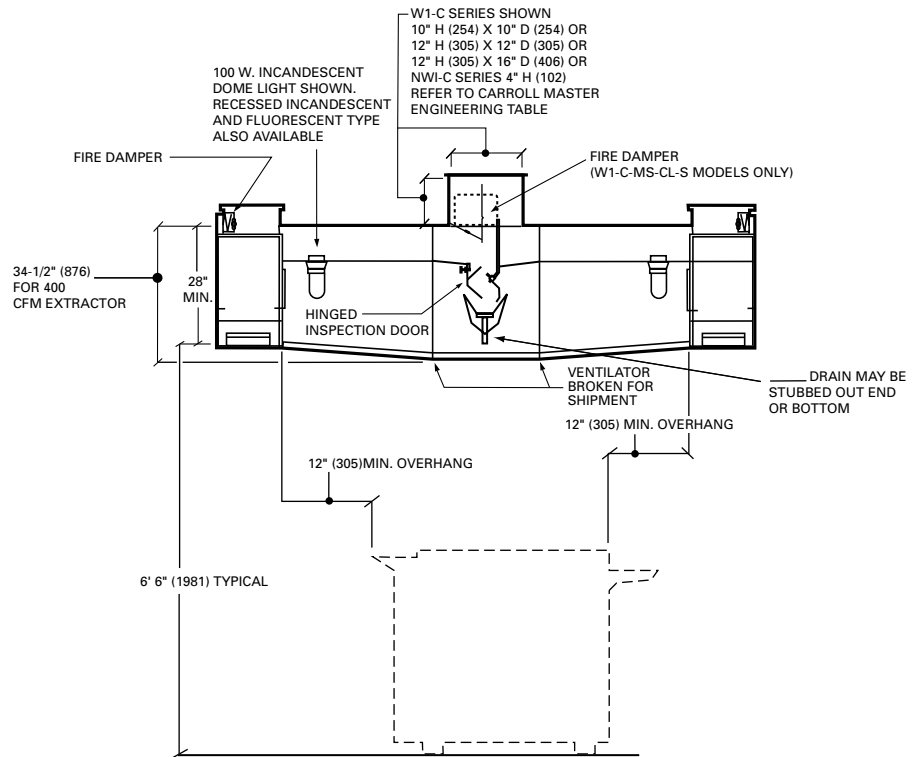
VENTILATOR LENGTHS

Maximum unit length is 16'-0" (4877 mm). For greater lengths, two or more sections must be joined. Check to ensure that there is adequate access into building and kitchen area.

HANGING WEIGHT

Ventilator Depth	5'-0" (1524)	5'-6" (1676)	6'-0" (1829)	6'-6" (1981)
Wt./linear ft. lbs.	70	76	82	88
Wt./linear m. kg.	104	113	122	131

Item No: _____ Height: _____
 Est. Wt.: _____ Exhaust - CFM: _____
 Length: _____ Duct Size: _____
 Width: _____ S. P.: _____
 _____ GPM @ 40 PSI Water Temp. 140° - 180°F



Section View
 N.T.S. (TAPERED SHAPE SHOWN)

NOTE: Dimensions in parenthesis () are millimeters.