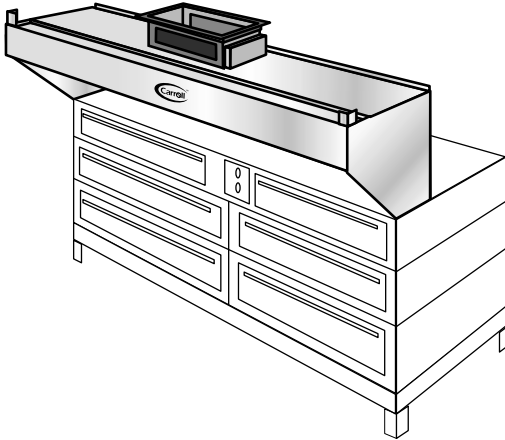




Carroll Manufacturing International
 25 Johnson Street, Thornhill, Ontario L3T 2N8
 Phone: 905-731-1050 · Fax: 905-731-8547

Website: www.carrollmi.com
 Email: info@carrollmi.com



PRODUCT SPECIFICATIONS

Furnish Carroll Ventilator Model DF-C-EM _____ (ventilator with fire damper) or NDF-C-EM _____ (ventilator without fire damper) as shown on plans, in the depth indicated, in the overall length of _____, and to meet the following specifications.

GENERAL DESCRIPTION: Ventilator is a conventional filter-type hood with a continuous array of baffle-type U.L. Classified filters along the entire ventilator length. Ventilator is to include a semi-concealed pitched gutter which slopes to a removable grease cup located at either extreme end.

Ventilator shall include means for hanging or otherwise supporting. The fire damper (on DF ventilators only) shall be 212° fuse link or thermostatically activated, with damper closure set to occur at 200°F.

CONSTRUCTION MATERIALS: The ventilator shall be 18 gauge, type 304, all stainless steel construction. A number 4 finish shall be provided on all exposed surfaces.

LIGHT FIXTURES: Ventilator shall be equipped with 100 Watt Dome Incandescent or Recessed 150 Watt Incandescent or Recessed Fluorescent Fixtures. Light fixtures shall be prewired to a single connection point at the factory.

APPROVALS: Ventilator to be U.L. Listed, listed by NSF, and in accordance with all recommendations of NFPA 96. The ventilator must meet all applicable codes.

ITEM NO. _____

Traditional Series Dry Filter Ventilator

- Model DF-C-EM
- Model NDF-C-EM

APPLICATION

Equipment mount/Eyebrow canopy style ventilator mounts directly to roast, bake and reel types of ovens.

DESCRIPTION

The Traditional Series is a non water-wash conventional filter hood which is U.L. Listed under either the category "Exhaust Hood with Exhaust Damper," for the DF-C-EM models or under the category "Exhaust Hood without Exhaust Damper," for the NDF-C-EM models. Units are offered in a selection of depths. All models include a full array of U.L. classified baffle-type grease removing filters, and a grease collecting gutter sloped to a removable grease cup at either end. The DF-C-EM model features a spring loaded, fuse-link fire damper located at the duct collar. A thermostatically-activated damper is available as an option.

OPERATION

When properly operated and maintained, effective grease removal will be obtained. The liquified grease is drained off into a container for removal. Any "DF" Series model can be totally integrated with any of the other "DF" Series models.

MAINTENANCE

At periodic intervals (such as the end of each cooking day), the filters are to be removed and cleaned. They can be either washed in a dishwasher, hand washed, or soaked and rinsed.

AIR SUPPLY GUIDELINES

Appropriately conditioned supply air must be mechanically delivered to the space to replace exhausted air. Generally, 75% to 80% is so delivered, with the remaining 20% to 25% flowing naturally from adjoining areas.

EXHAUST/SUPPLY FAN UNITS

Exhaust fan(s) and supply fan(s) are to be furnished and installed by others to meet the Carroll Ventilator air volumes and static pressure drop for the entire system and must be in compliance with local codes.

- Exhaust fan(s) should be properly sized and include induced draft, squirrel cage design, with backward inclined or air-foil type blades.
- Discharge ducts should be vertical and located away from air intakes.
- Supply fan(s) should be equipped with throwaway or cleanable type filters.
- Exhaust and supply fans require a magnetic starter switch with a 120 volt holding coil and should be electrically interlocked for simultaneous operation.

FIRE PROTECTION

NFPA 96 and most other codes require a fire extinguishing system for protection of both the duct collar and plenum areas of ventilators and for the protection of cooking equipment (such as fat fryers, griddles, ranges and broilers) which may be a source of ignition of grease. Check with local fire authorities for exact requirements.

OPTIONAL EQUIPMENT

Consult Carroll regarding custom services addressing:

- Exhaust Fans, Supply Fans & Roof Top Units
- Fire Protection Systems
- Heat Recovery Units
- Utility Distribution Systems
- Air Purification Units

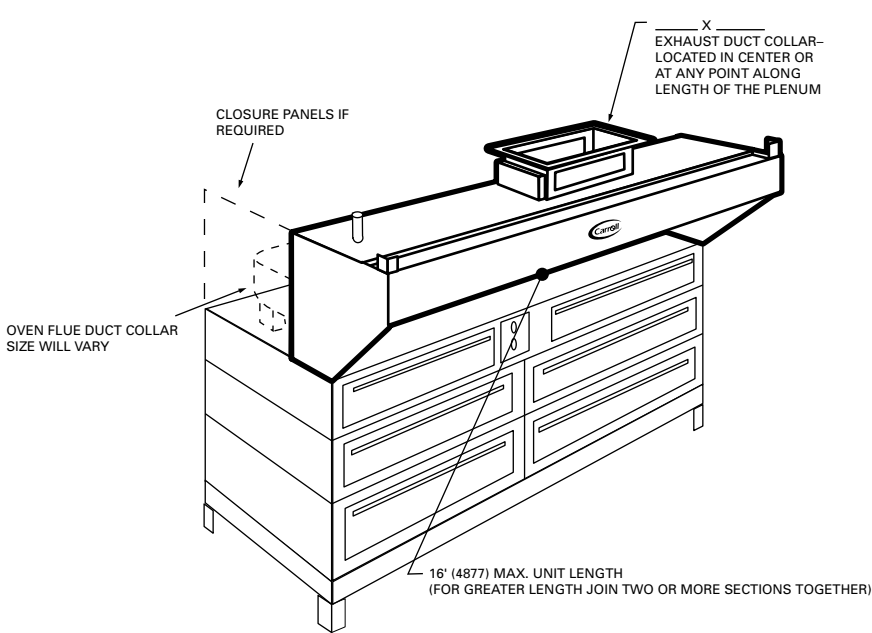


Model DF-C-EM _____ (With Fire Damper)

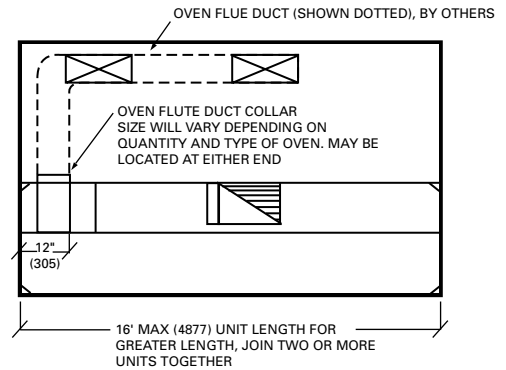
Model NDF-C-EM _____ (Without Fire Damper)



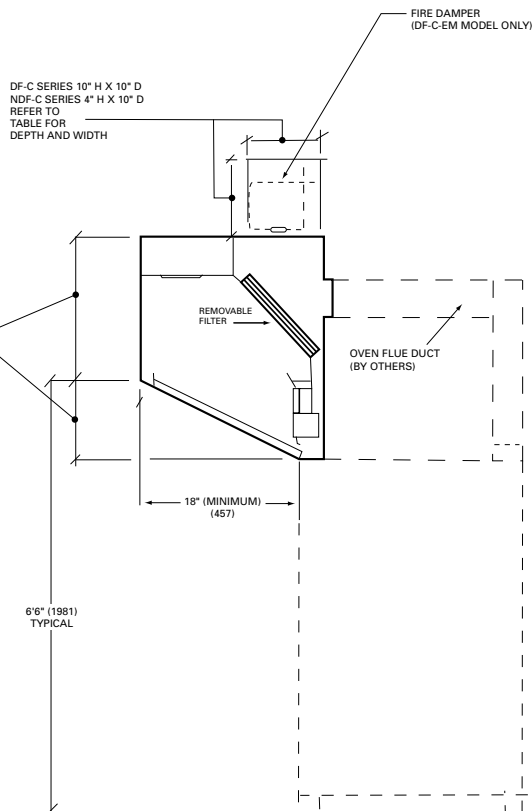
To complete the model number, insert the desired depth of the unit in inches. Example: "DF-C-EM-30" (See typical "Section View" below.)



Perspective View
N.T.S.



Plan View
N.T.S.



Section View
N.T.S.

NOTE: Dimensions in parenthesis () are millimeters.

Engineering Data

EQUIPMENT TYPE

LIGHT LOADOvens non-grease producing

ELECTRICAL

An optional Carroll stop/start switch, Model CS200, is provided for each exhaust fan. Refer to Model CS200 spec. sheet for specifications and electrical details.

STATIC PRESSURE

Static pressure drops across ventilator:

Model NDF:0.75" W.G. at the duct collar

Model DF:1.00" W.G. at the duct collar

VENTILATOR LENGTHS

50 lbs. per linear foot of ventilator.

74 kg. per linear meter of ventilator.

Item No: _____ Height: _____

Est. Wt.: _____ Exhaust - CFM: _____

Length: _____ Duct Size: _____

Width: _____ S. P.: _____

AIR-SIDE TECHNICAL DATA

LENGTH	LIGHT LOAD 250 CFM/LIN.FT.	
	CFM	DUCT COLLAR 10" X
3'-0"	750	6"
3'-6"	875	7"
4'-0"	1000	8"
4'-6"	1125	9"
5'-0"	1250	10"
5'-6"	1375	11"
6'-0"	1500	12"
6'-6"	1625	13"
7'-0"	1750	14"
7'-6"	1875	15"
8'-0"	2000	16"
8'-6"	2125	17"
9'-0"	2250	18"
9'-6"	2375	19"
10'-0"	2500	20"
10'-6"	2625	21"
11'-0"	2750	22"
11'-6"	2875	23"
12'-0"	3000	24"
12'-6"	3125	25"
13'-0"	3250	26"
13'-6"	3375	27"
14'-0"	3500	28"
14'-6"	3625	29"
15'-0"	3750	30"
15'-6"	3875	31"
16'-0"	4000	32"

* Maximum unit length 16'-0" (4877).
Check to ensure that there is adequate access into the building and kitchen area.